



# 100 SERIES: Airfoil Fume Hood

APPLICATIONS: K-12; Higher Education; Industrial; Bio Tech / R&D

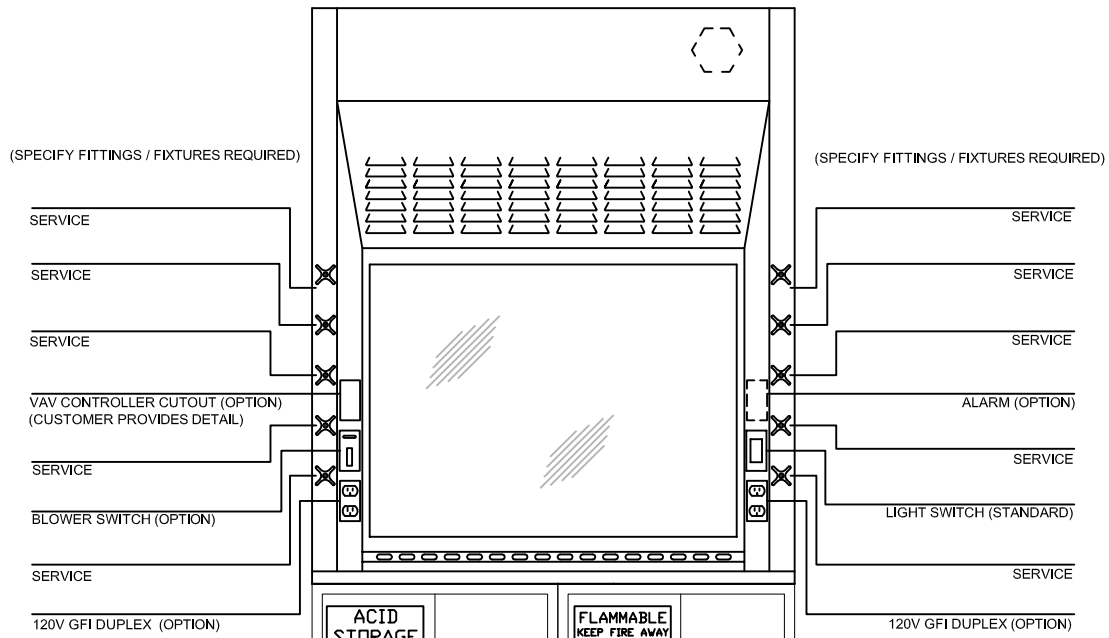
## EH-100 STANDARD FEATURES

- Interior Baffle Arrangement:
  - Fixed baffles (standard)
- Exhaust Collar:
  - Type 304 s/s - 10" Dia. Round (standard)
  - Other \_\_\_\_\_
- Interior Lighting Fixture:
  - Standard T-8 Fluorescent Light w/ Bulbs (standard)
- Sash Frame & Glass:
  - Painted Steel Frame w/ Laminated Safety Glass (standard)
- Airfoil:
  - Painted Steel (standard)
- Sash Type:
  - Vertical (standard)
- Pre-Piping / Pre-Wiring (standard)
  - All hoods are pre-wired & pre-piped unless other wise noted

## OPTIONAL ACCESSORIES

- Lattice Assembly:
  - None
  - Aluminum Lattice Assembly
  - Stainless Steel Assembly
- Interior Lighting Fixture:
  - Explosion Proof Light
- Fume Hood Alarm Option:
  - Alarm Tel AFA\_500
  - Alarm Tel AFA\_1000
  - VAV Cutout (Customer provides cutout detail)
- Sash Frame & Glass:
  - Stainless Steel Frame w/ Laminated Safety Glass
- Airfoil:
  - Type 304 Stainless Steel
  - Type 316 Stainless Steel
- Trough:
  - None (standard)
  - Painted Steel
  - Type 304 Stainless Steel
  - Type 316 Stainless Steel
- Ceiling Enclosure:
  - Yes (Height: \_\_\_\_\_)  No
- Finished Back:
  - Yes  No
- Sash Type:
  - Combination
  - Horizontal
  - Interlocking
- Additional Options:
 

Blower	<input type="checkbox"/> Yes	<input type="checkbox"/> No
Sash Stops	<input type="checkbox"/> Yes	<input type="checkbox"/> No
Push Button Sash	<input type="checkbox"/> Yes	<input type="checkbox"/> No
Automatic Sash Return	<input type="checkbox"/> Yes	<input type="checkbox"/> No
Sash Locks	<input type="checkbox"/> Yes	<input type="checkbox"/> No
Sash Alarm	<input type="checkbox"/> Yes	<input type="checkbox"/> No
Add Air Chamber	<input type="checkbox"/> Yes	<input type="checkbox"/> No
- Service Fixture Type:
  - Ball valve w/ lever handles
  - Needle valve w/ four-arm handle



### LINER MATERIAL:

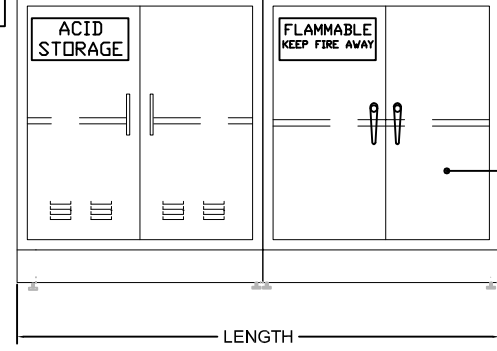
- POLY RESIN (standard)
- 304 STAINLESS STEEL
- 316 STAINLESS STEEL
- PVC
- SPECIAL

### PRE-PIPING:

- PRE-PIPING UP
- PRE-PIPING DOWN

### BY-PASS TYPE:

- OPEN BY-PASS (standard)
- RESTRICTED BY PASS



Custom sizes available; contact AMS

SPECIAL REQUIREMENTS: \_\_\_\_\_

\_\_\_\_\_

\_\_\_\_\_

HOOD BASE CABINETS:	HEIGHT			
	Width	29"	33"	35"
Acid				
Flammable				
Vacuum Pump				
Standard Base				
Table Base Frame				

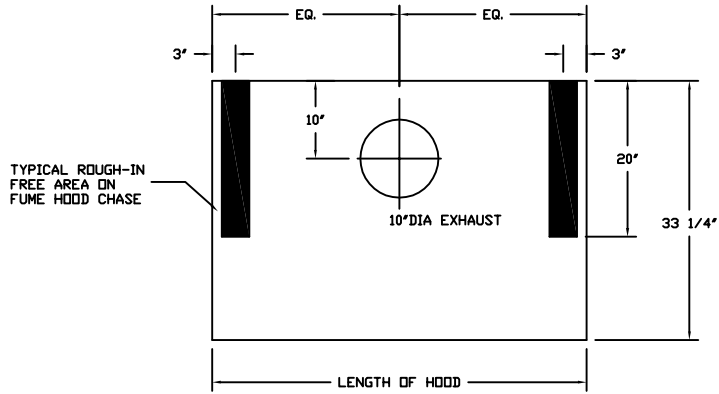
### WORK SURFACE MATERIAL:

- Epoxy (standard)
- Type 304 Stainless Steel
- Type 316 Stainless Steel

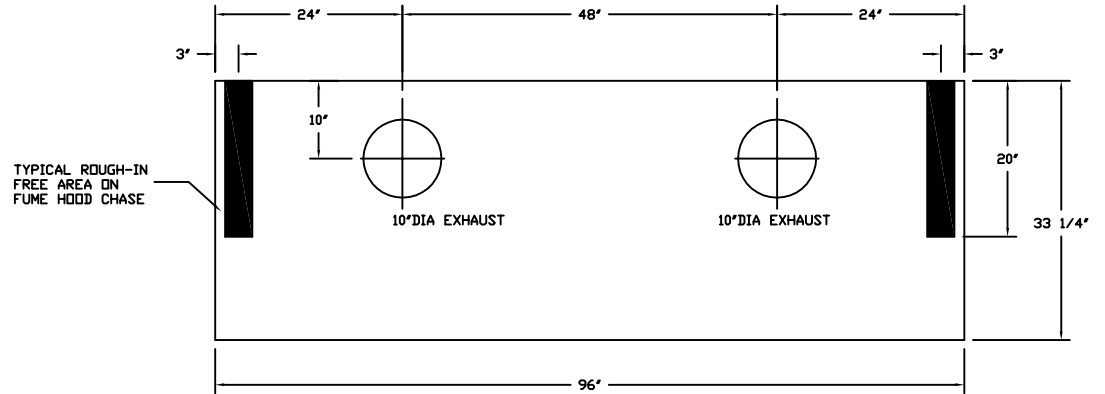
	CUSTOMER	Qty: _____ Color: _____
--	----------	----------------------------

# 100 SERIES: Airfoil Fume Hood

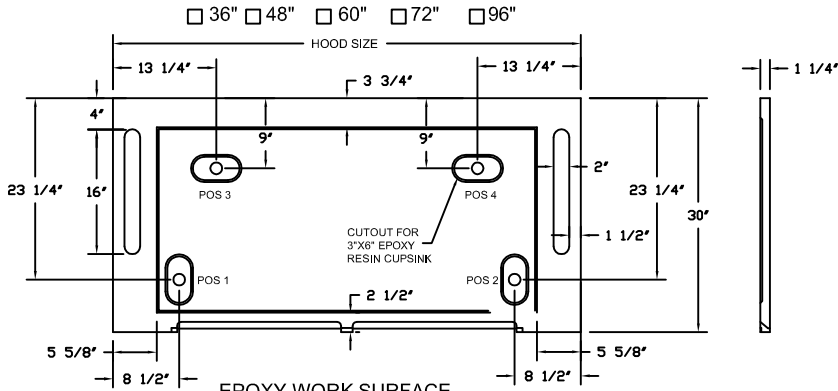
APPLICATIONS: K-12; Higher Education; Industrial; Bio Tech / R&D



SERVICE ROUGH-IN DETAIL  
(Specifically for 3', 4', 5', & 6' Hoods)



SERVICE ROUGH-IN DETAIL  
(Specifically for 8' Hoods)



EPOXY WORK SURFACE  
(Specify Location of Cupsink)

NOTE: IF ACID / FLAMMABLE CABINETS ARE REQUIRE - CUPSINKS LOCATIONS WILL VARY, PLEASE CONTACT AMS FOR DETAILS.

CUPSINK OPTION:

- 3" X 6"
- 3" X 9"
- OTHER \_\_\_\_\_
- NONE

Part No.	Superstructure			Worktop			Hood Opening		CFM @ 29" *	CFM @ 18" *	SP
	W	H	D	W	H	D	W	H			
EH-111-36	36"	56"	33-1/4"	36"	1-1/4"	30"	26"	29"	567	354	.25
EH-111-48	48"	56"	33-1/4"	48"	1-1/4"	30"	38"	29"	833	521	.25
EH-111-60	60"	56"	33-1/4"	60"	1-1/4"	30"	50"	29"	1100	688	.34
EH-111-72	72"	56"	33-1/4"	72"	1-1/4"	30"	62"	29"	1367	854	.34
EH-111-96	96"	56"	33-1/4"	96"	1-1/4"	30"	86"	29"	1900	1188	.40

\*Height of open sash; CFM calculated at 100 FPM

CUSTOMER

Qty: \_\_\_\_\_  
Color: \_\_\_\_\_